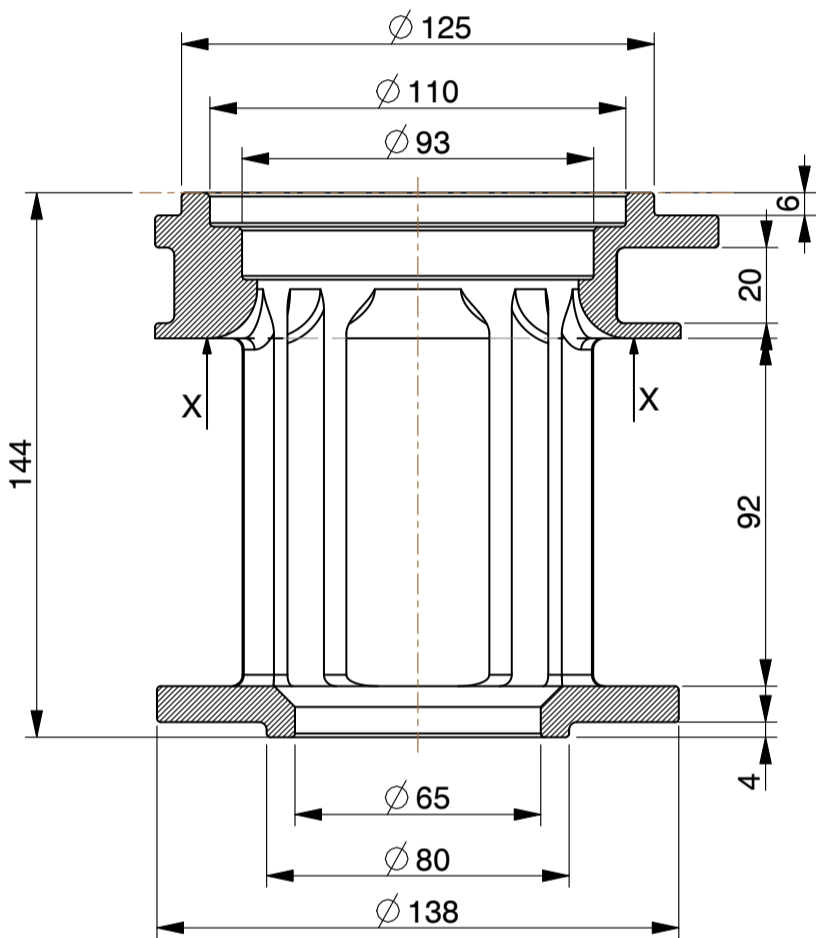
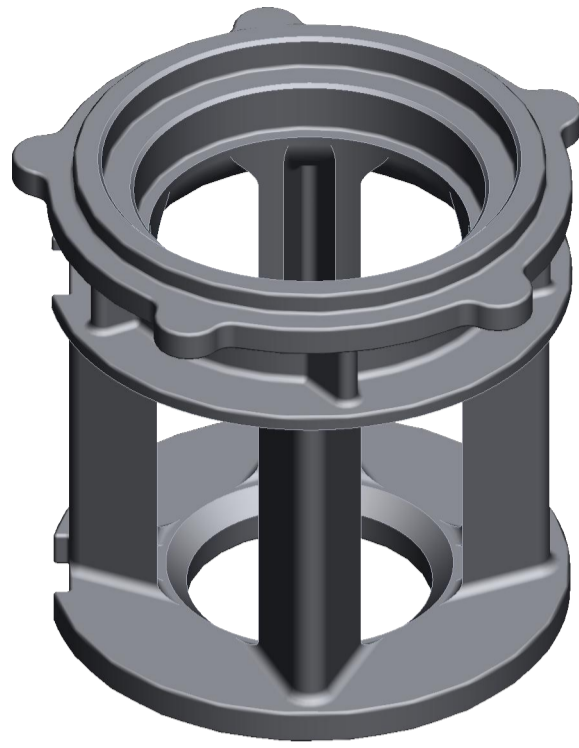
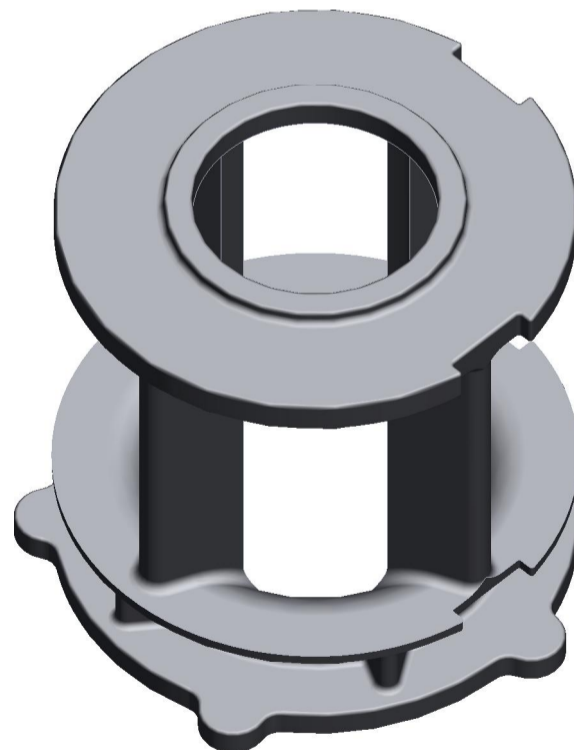
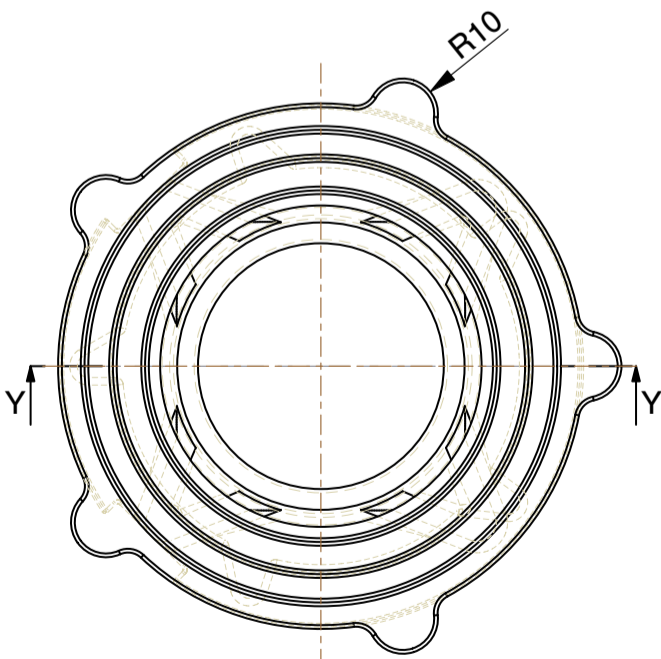
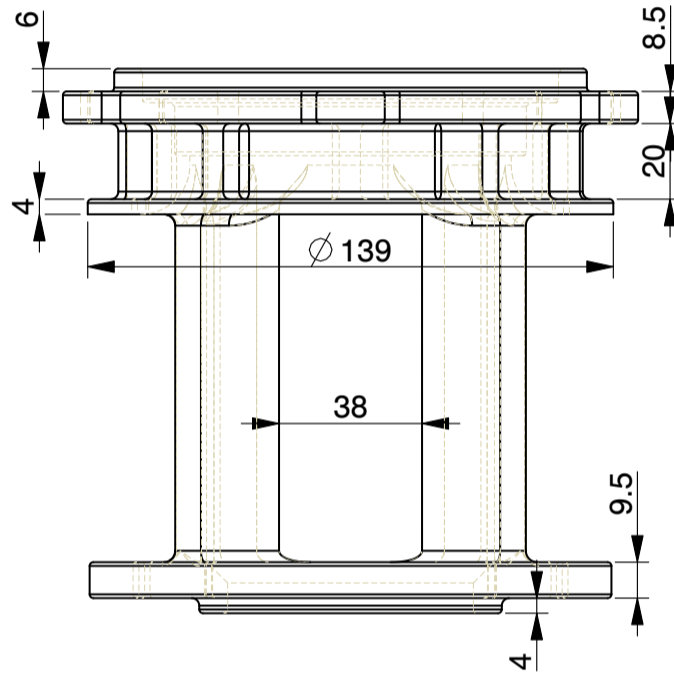


SECTION X-X



SECTION Y-Y



- NOTE:-
- 1). ALL DIMENSIONS ARE IN mm.
 - 2). DO NOT SCALE, IF ANY DOUBT PLEASE ASK.
 - 3). ALL DIMENSIONS ARE AS CAST.

MICROCARE TECHNIQUES P. LTD.

Survey No.11, Nr. Kalpataru Society, Village : Zundal.
Dist. :Gandhinagar-382421, Gujarat, INDIA. email: microcare25@microcaregroup.com

PART NAME: SUCTION HOUSING - V/6 - V/7 - 5 LUGS			SCALE 1 / 2
MATERIAL: SS 304	DESCRIPTION: Weight:--- 3.000 Kgs.		DATE 18-11-2011