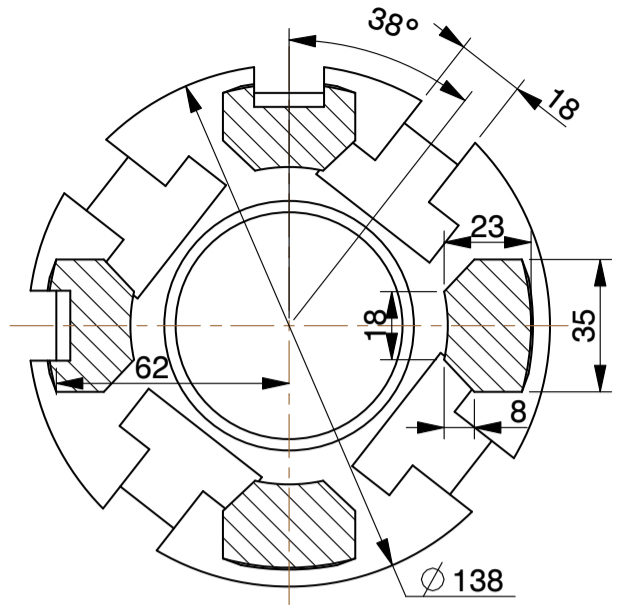


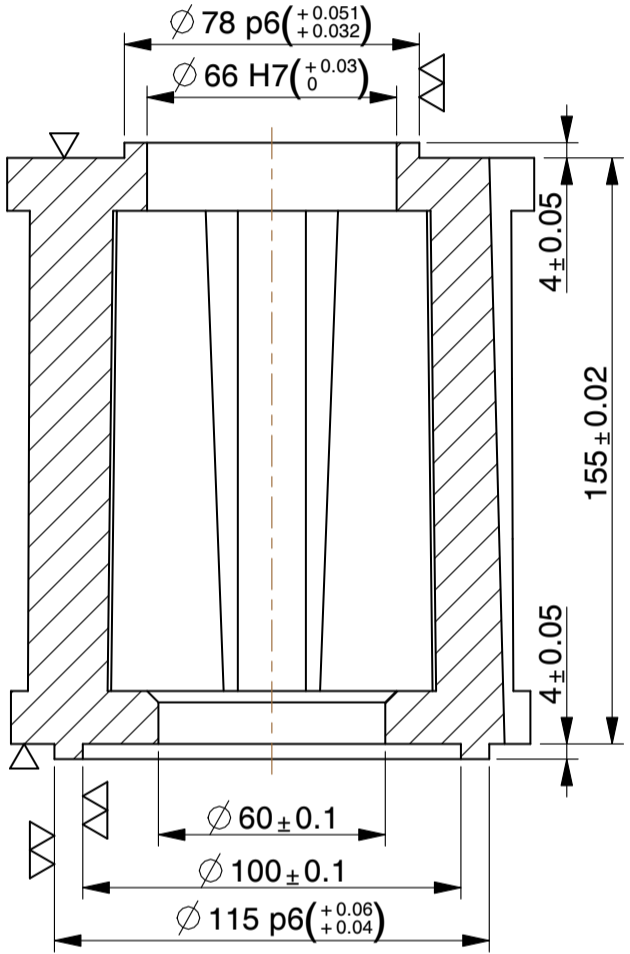
4 3 2 1

H  
G  
F  
E  
D  
C  
B  
A

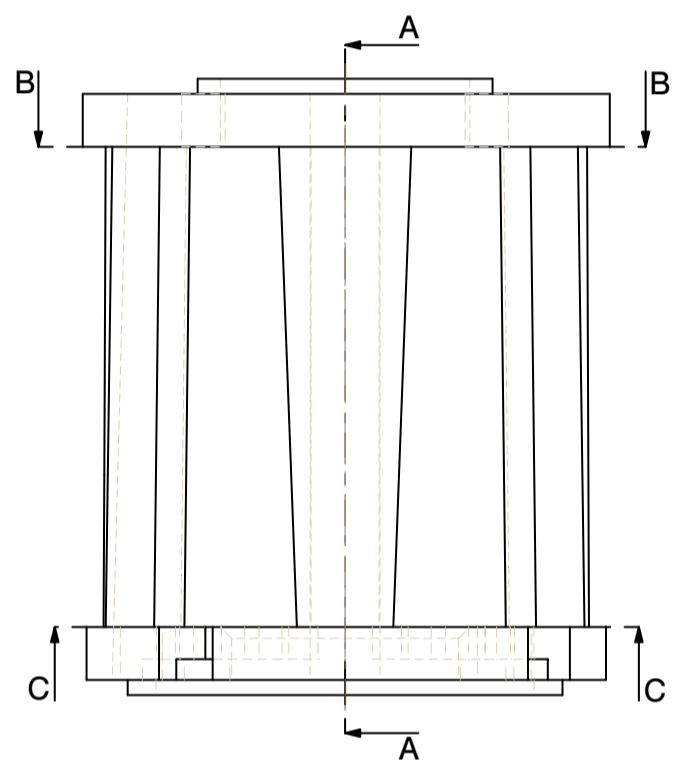
H  
G  
F  
E  
D  
C  
B  
A



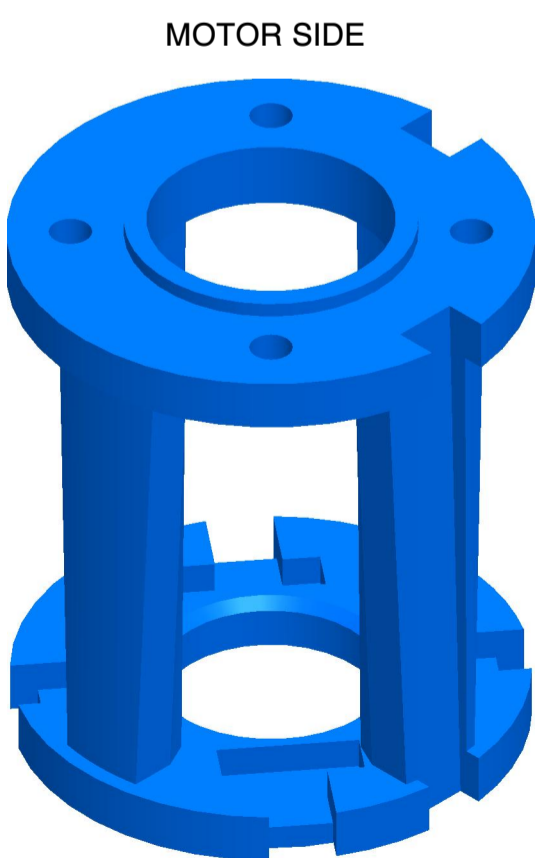
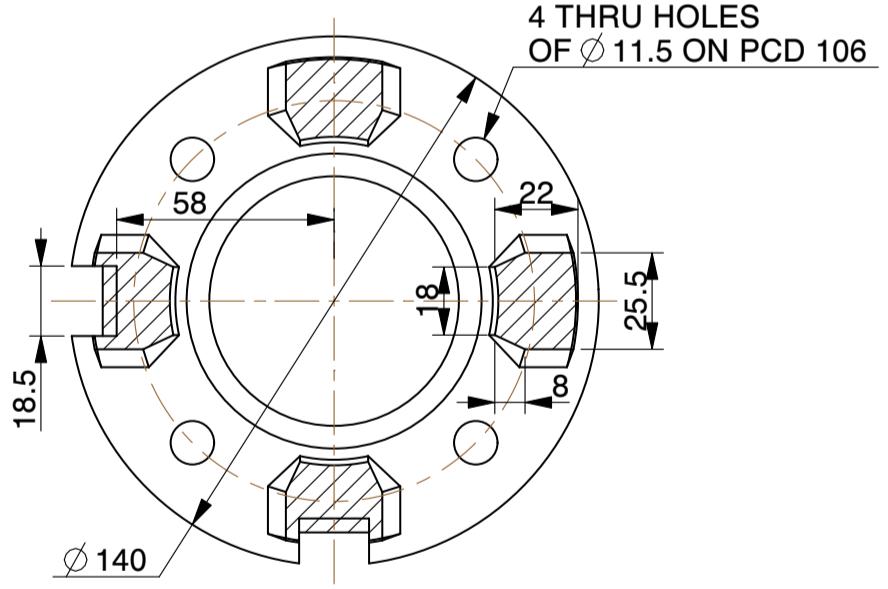
SECTION B-B



SECTION A-A



SECTION C-C



MOTOR SIDE

PUMP SIDE

- NOTE:-
- 1).ALL DIMENSIONS ARE IN mm.
  - 2).DO NOT SCALE,IF ANY DOUBT PLEASE ASK.
  - 3).ALL DIMENSIONS ARE AS MACHINED.

WEIGHT (AS CAST) :- 6.1 Kg.

<b>MICROCARE TECHNIQUES P. LTD.</b>		
<i>Survey No.11,Nr. Kalpataru Society, Village : Zundal. Dist. :Gandhinagar-382421, Gujarat, INDIA. email: microcare25@microcaregroup.com</i>		
PART NAME:		SCALE
IP 'K' TYPE - V6		1:2
MATERIAL:	DESCRIPTION:	DATE
CAST IRON	-	17-05-2011

4 3 2 1

Associated Model File Name : IP\_K\_TYPE  
Drawing File Name : IP\_K\_TYPE