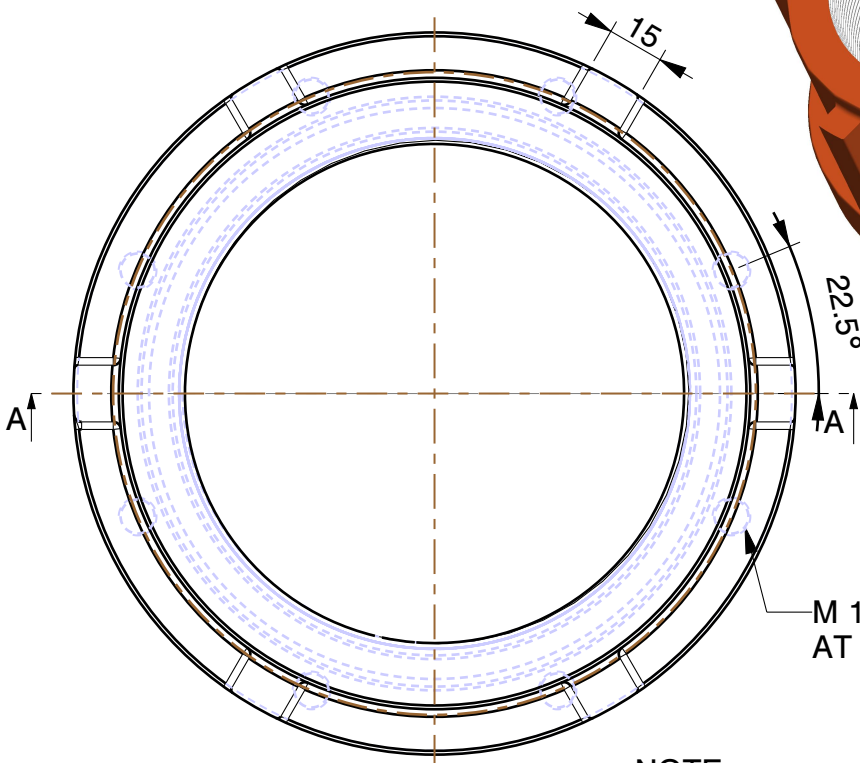
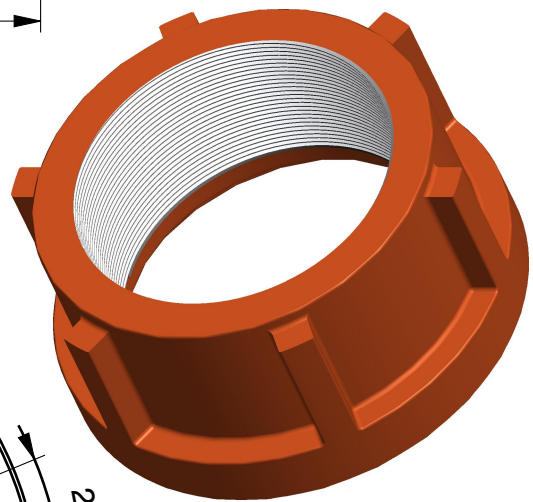


SECTION A-A



M 10 X 17 DEEP TAPPING
AT P.C.D. 170 , 8 NOS.

NOTE:-

- 1).ALL DIMENSIONS ARE IN mm.
- 2).DO NOT SCALE,IF ANY DOUBT PLEASE ASK.
- 3).ALL DIMENSIONS ARE AS MACHINED.

MICROCARE TECHNIQUES P. LTD.

Survey No.11,Nr. Kalpataru Society,Village : Zundal.

Dist. :Gandhinagar-382421, Gujarat, INDIA. email: microcare25@microcaregroup.com

PART NAME:			SCALE
NRV - 393 - SHORT			1 / 2
MATERIAL:	DESCRIPTION:	DATE	
CAST IRON	Weight:--- 6.800 Kgs.	11-06-2011	