

4 3 2 1

H

G

F

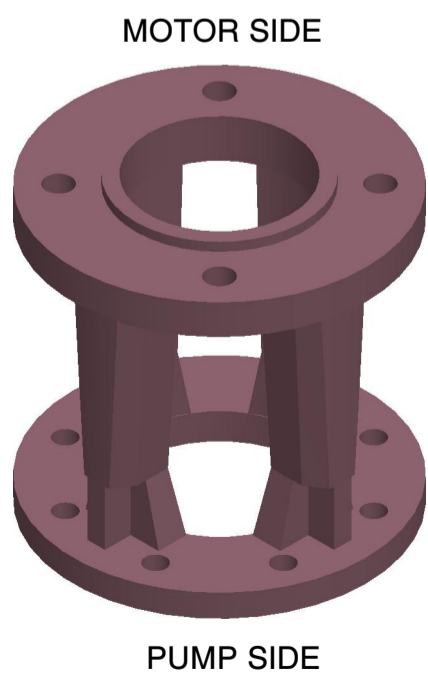
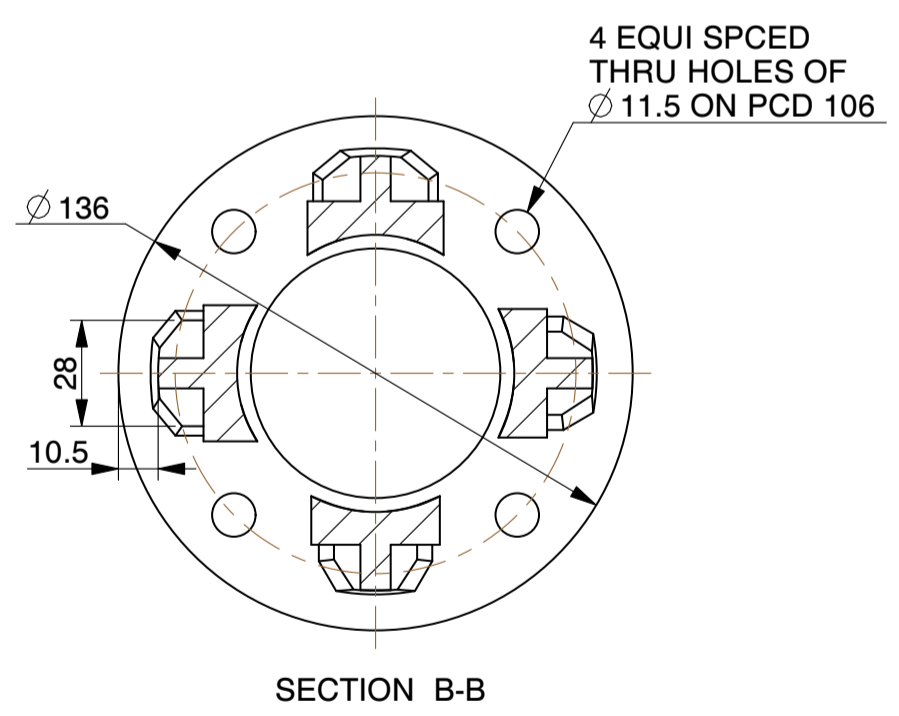
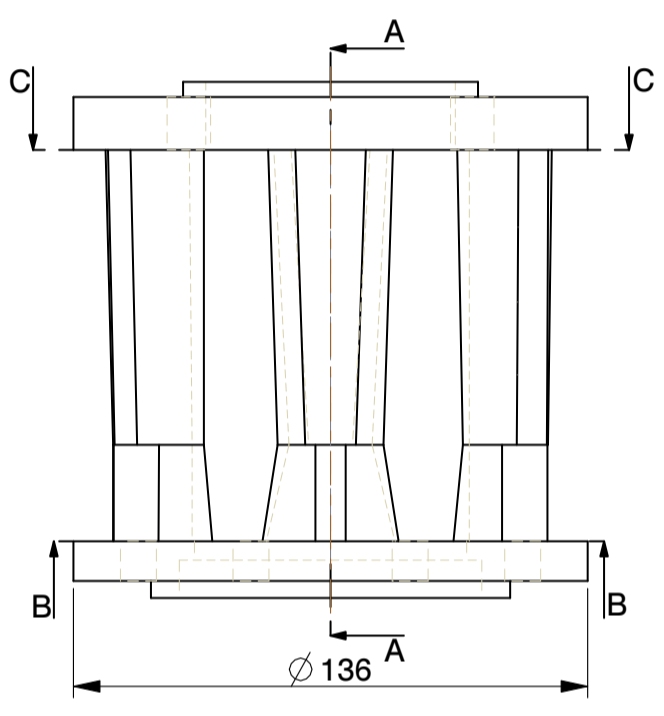
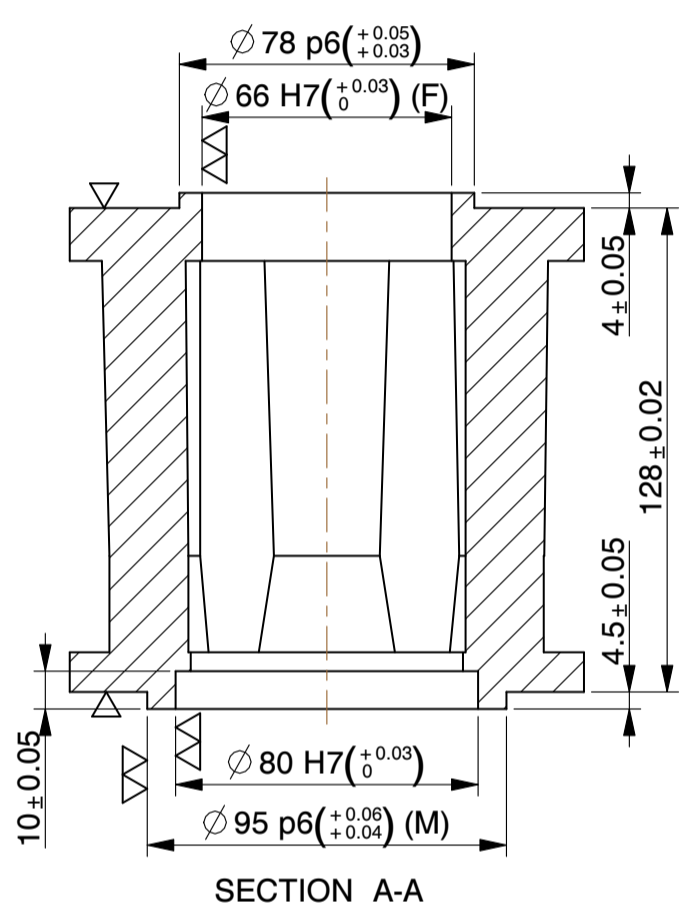
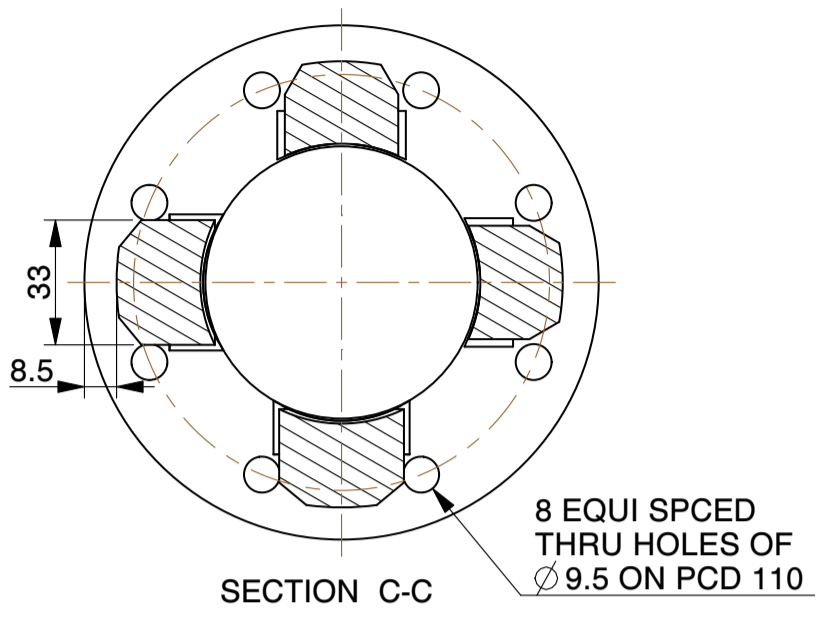
E

D

C

B

A



NOTE:-
 1).ALL DIMENSIONS ARE IN mm.
 2).DO NOT SCALE,IF ANY DOUBT PLEASE ASK.
 3).ALL DIMENSIONS ARE AS MACHINED.

WEIGHT (AS CAST) :- 4.6 Kg.

MICROCARE TECHNIQUES P. LTD.		
Survey No.11,Nr. Kalpataru Society, Village : Zundal.		
Dist. :Gandhinagar-382421, Gujarat, INDIA. email: microcare25@microcaregroup.com		
PART NAME:		SCALE
IP 262		1:2
MATERIAL:	DESCRIPTION:	DATE
CAST IRON	-	17-05-2011

4 3 2 1