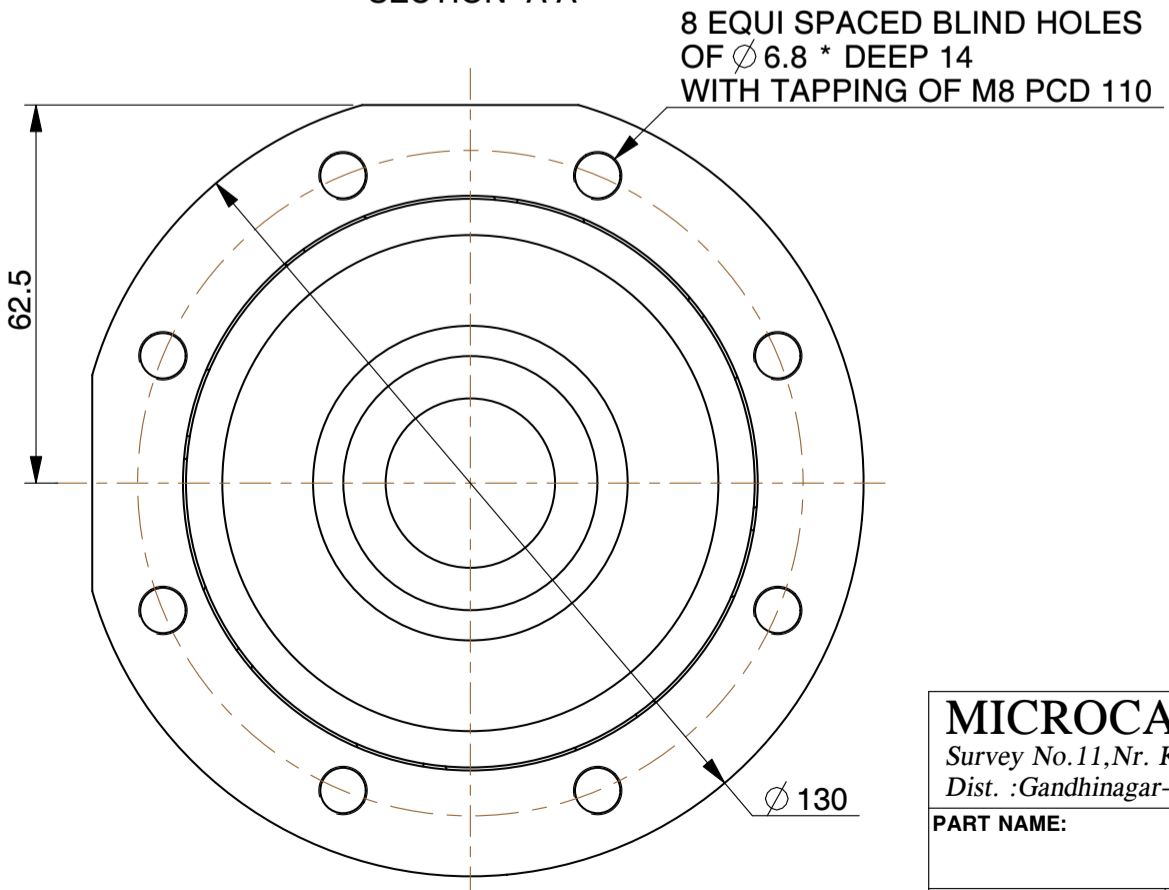
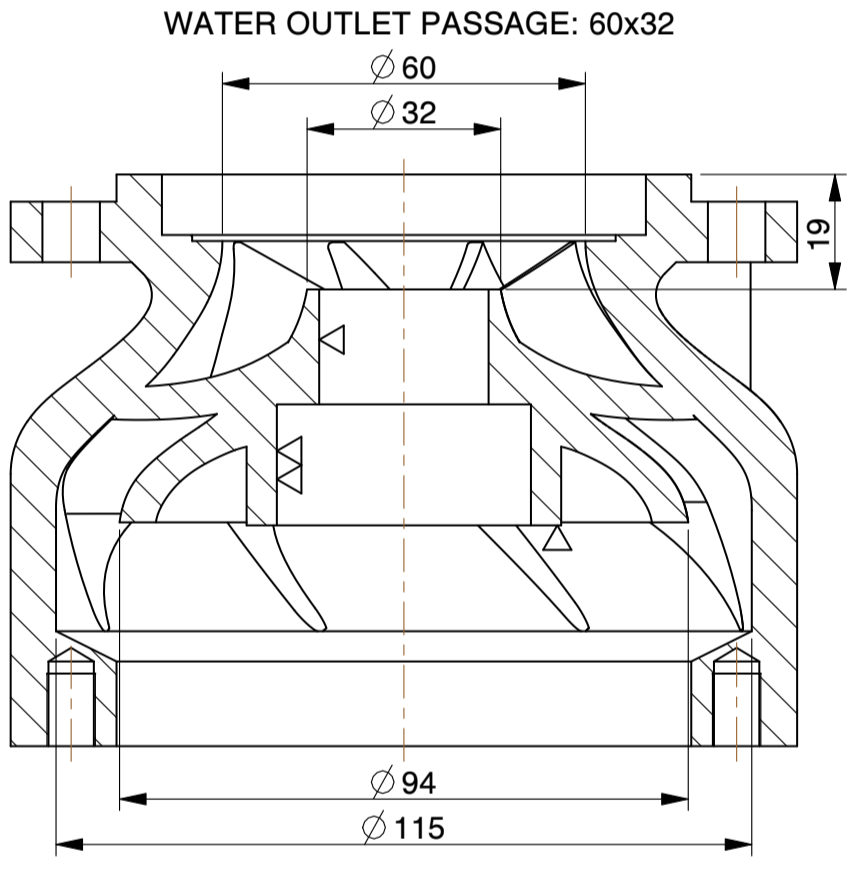
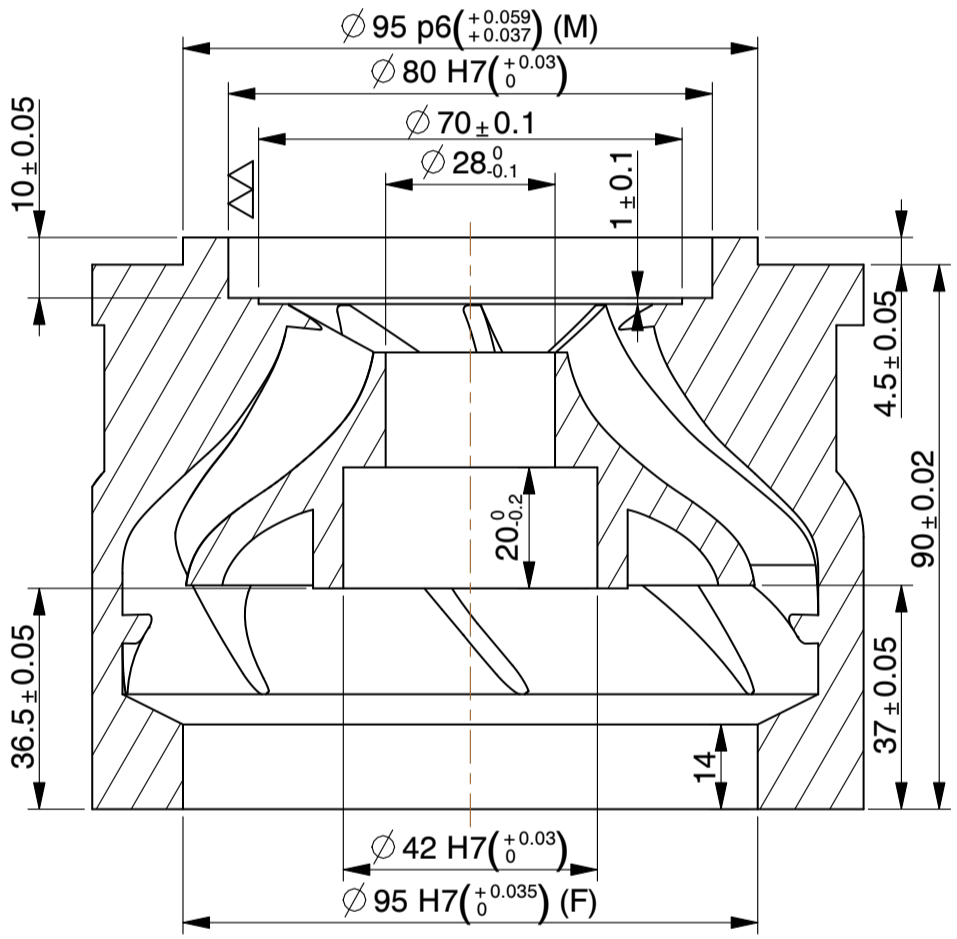
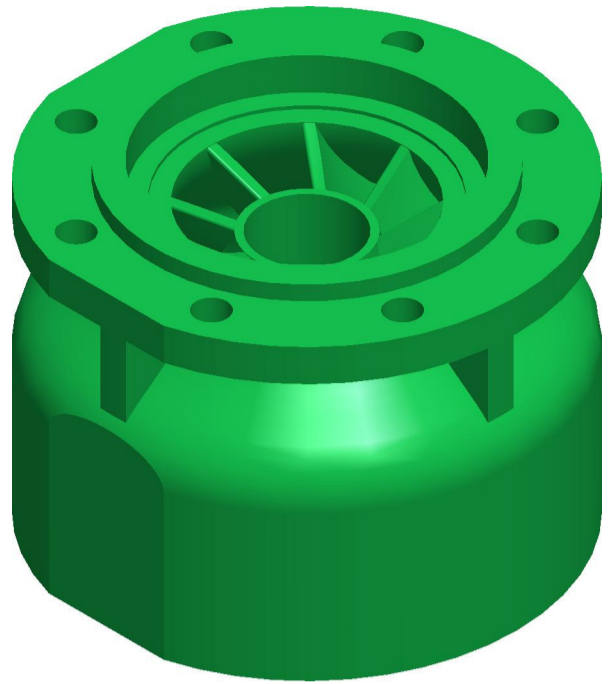
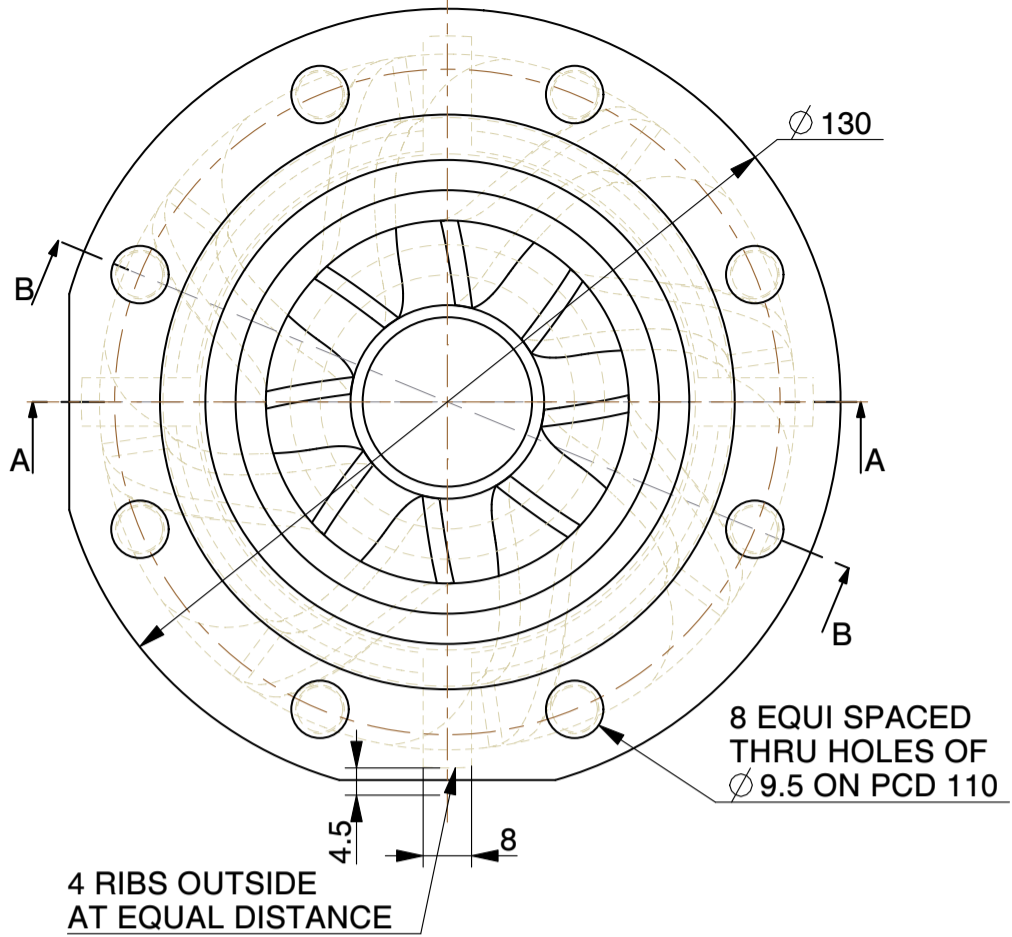


4 3 2 1

H G F E D C B A



VERTICAL GAP FOR IMPELLER MOVEMENT BETWEEN TWO BOWLS ASSEMBLY	41.5
WATER INLET PASSAGE:	115 x 94
WATER OUTLET PASSAGE:	60 x 32
WEIGHT (AS CAST)	4.3 Kg.

NOTE :-
 1).ALL DIMENSIONS ARE IN mm
 2).DO NOT SCALE,IF ANY BOUBT PLEASE ASK.
 3).ALL DIMENSIONS ARE AS MACHINED.

MICROCARE TECHNIQUES P. LTD.
 Survey No.11,Nr. Kalpataru Society, Village : Zundal.
 Dist. :Gandhinagar-382421, Gujarat, INDIA. email: microcare25@microcaregroup.com

PART NAME: BOWL - 262			SCALE 1:1.25
MATERIAL: CAST IRON	DESCRIPTION: -		DATE 17-05-2011

4 3 2 1

This Document is the exclusive property of company and shall not be used, copied or communicated to third parties without their prior authorization.

Associated Model File Name : BOWL-262

Drawing File Name : BOWL-262