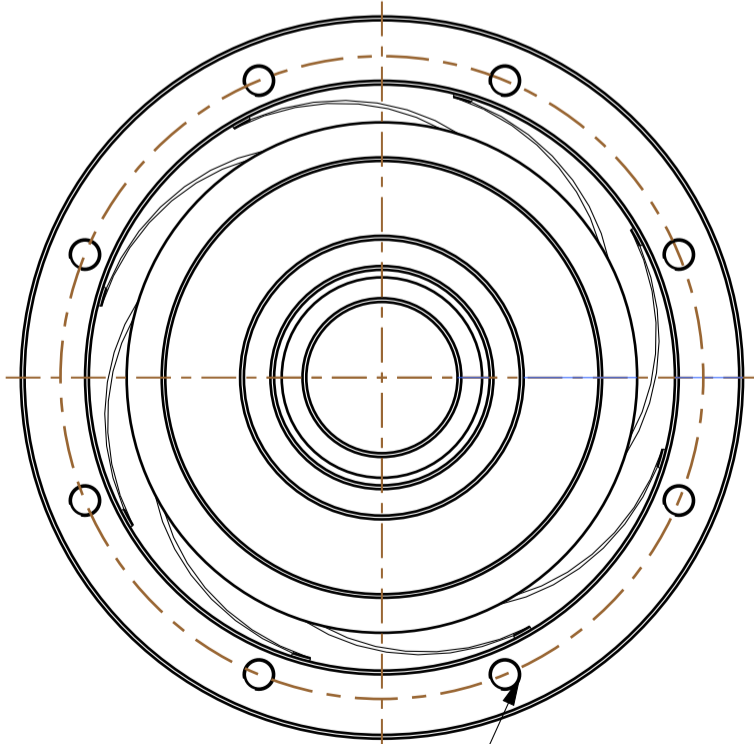


WATER PASSAGE 175 X 108

NO. OF RIBS :- 8



M10 TAPPING X 20 mm DEEP AT PCD 170 EQUISPACED, 8 NOS.

NOTE:-

- 1). ALL DIMENSIONS ARE IN mm.
- 2). DO NOT SCALE, IF ANY DOUBT PLEASE ASK.
- 3). ALL DIMENSIONS ARE AS MACHINED.

MICROCARE TECHNIQUES P. LTD.		
<i>Survey No.11, Nr. Kalpataru Society, Village : Zundal.</i>		
<i>Dist. :Gandhinagar-382421, Gujarat, INDIA. email: microcare25@microcaregroup.com</i>		
PART NAME:		SCALE
BOWL - 393		1 / 2
MATERIAL:	DESCRIPTION:	DATE
CAST IRON	Weight:--- 10.500 Kgs.	11-06-2011