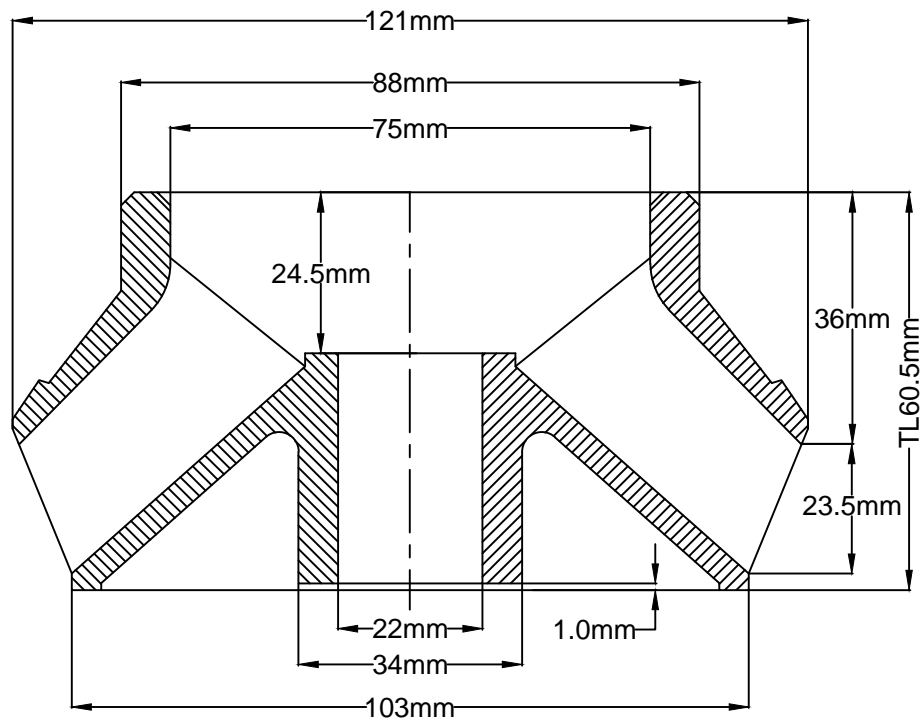


MV 7 IMPELLER



Model No	MV 7
Type of flow	Mixed flow
Borewell Size	7"
Flow Rate	13.3 m ³ /hr (800 LPM)
Head / Stage	11 m
Shut off Head	18 m
Power driven by pump / stage	2.48 KW (3.33 HP)
Rated RPM	2880 @ 50 Hz
No. of Blades	7 (CCW)
Production Method	Investment Casting
Weight (As cast)	0.950 (kg)
Compatible Bowl Model No.	BOWL - V 7

NOTE :

ALL DIMENSIONS ARE - AS CAST
 ALL DIMENSIONS ARE IN MM UNLESS OTHERWISE SPECIFIED.
 DO NOT SCALE, IF IN DOUBT ASK.