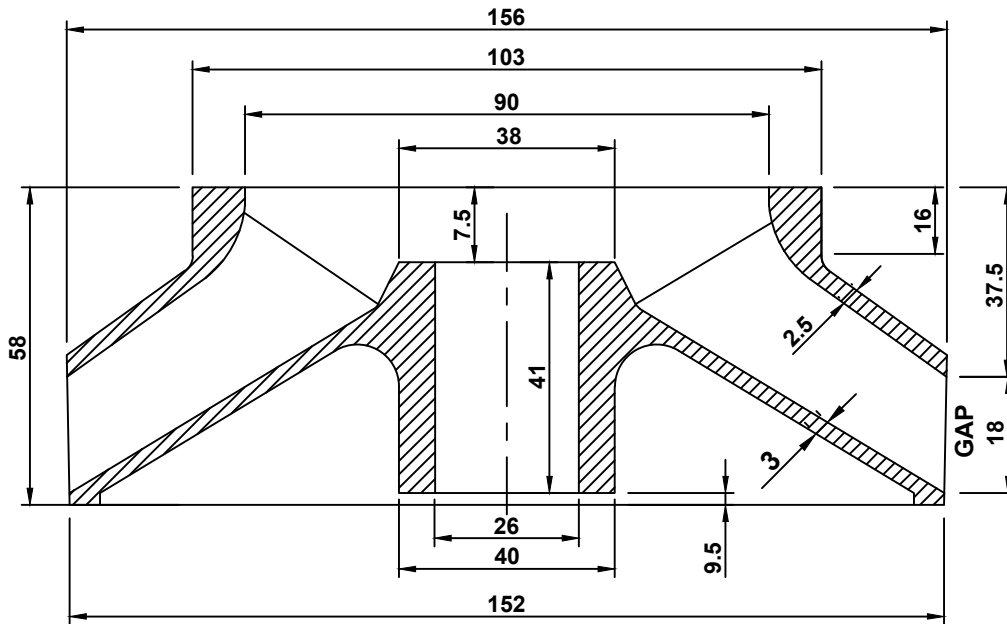


M 393 IMPELLER



Model No	M 393
Type of flow	Mixed flow
Borewell Size	8"
Flow Rate	41.67m ³ /hr (2500 LPM)
Head / Stage	21 m
Shut off Head	34 m
Power driven by pump / stage	11.19 KW (15 HP)
Rated RPM	2880 @ 50 Hz
No. of Blades	6 (CCW)
Production Method	Investment Casting
Weight (As cast)	1.850 (kg)
Compatible Bowl Model No.	BOWL - 393

NOTE :
 ALL DIMENSIONS ARE - AS CAST
 ALL DIMENSIONS ARE IN MM UNLESS OTHERWISE SPECIFIED.
 DO NOT SCALE, IF IN DOUBT ASK.