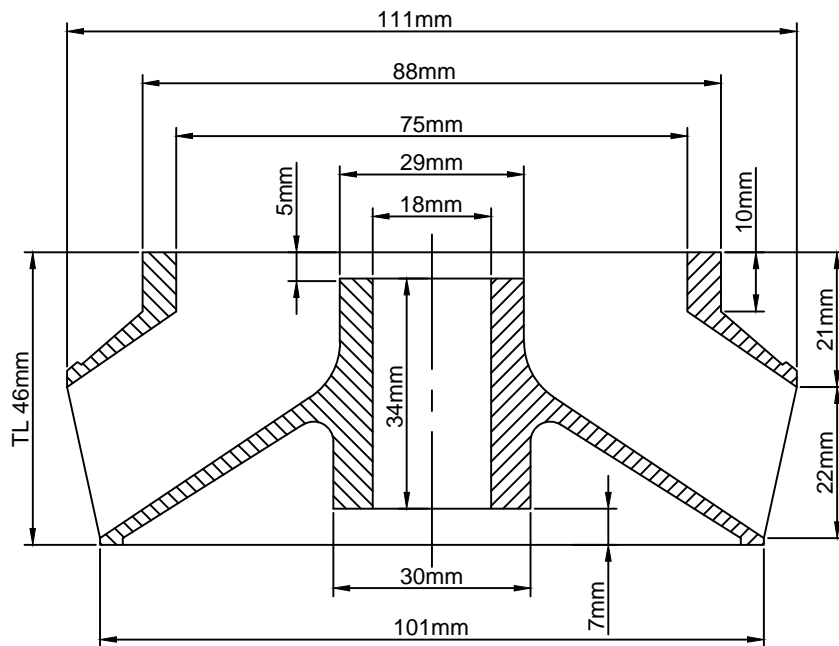


M 323 / 110 IMPELLER



NOTE :

ALL DIMENSIONS ARE - AS CAST
 ALL DIMENSIONS ARE IN MM UNLESS OTHERWISE SPECIFIED.
 DO NOT SCALE, IF IN DOUBT ASK.

Model No	M 323/110
Type of flow	Mixed flow
Borewell Size	6"
Flow Rate	20 m ³ /hr (1200 LPM)
Head / Stage	8 m
Shut off Head	13 m
Power driven by pump / stage	2.24 KW (3 HP)
Rated RPM	2880 @ 50 Hz
No. of Blades	6 (CCW)
Production Method	Investment Casting
Weight (As cast)	0.650 (kg)
Compatible Bowl Model No.	BOWL - 323/110

MICROCARE TECHNIQUES PVT. LTD.