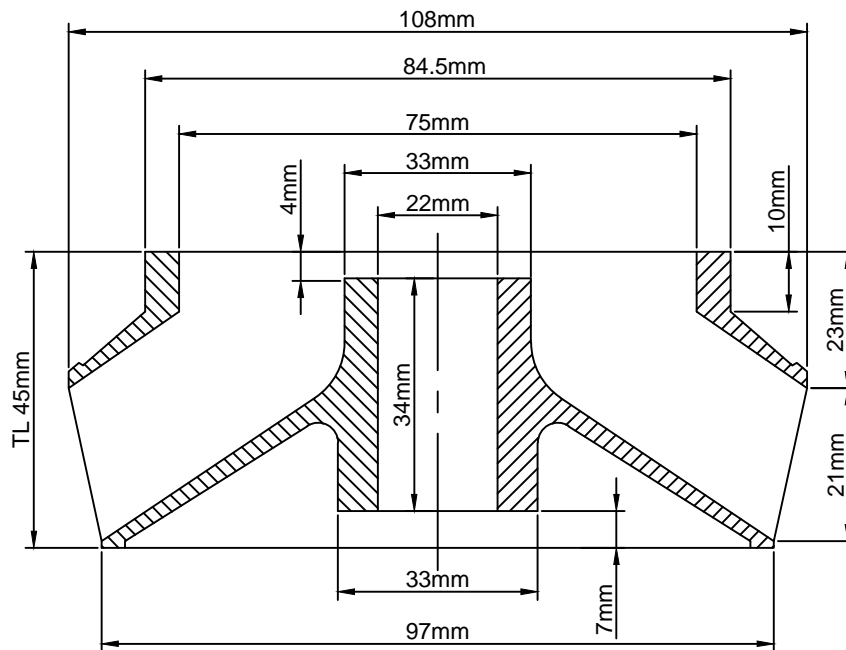


M 323 / 107 IMPELLER



Model No	M 323/107
Type of flow	Mixed flow
Borewell Size	6"
Flow Rate	16.67 m ³ /hr (1000 LPM)
Head / Stage	8 m
Shut off Head	13 m
Power driven by pump / stage	1.87 KW (2.5 HP)
Rated RPM	2880 @ 50 Hz
No. of Blades	6 (CCW)
Production Method	Investment Casting
Weight (As cast)	0.700 (kg)
Compatible Bowl Model No.	BOWL - 323/107

NOTE :

ALL DIMENSIONS ARE - AS CAST
 ALL DIMENSIONS ARE IN MM UNLESS OTHERWISE SPECIFIED.
 DO NOT SCALE, IF IN DOUBT ASK.