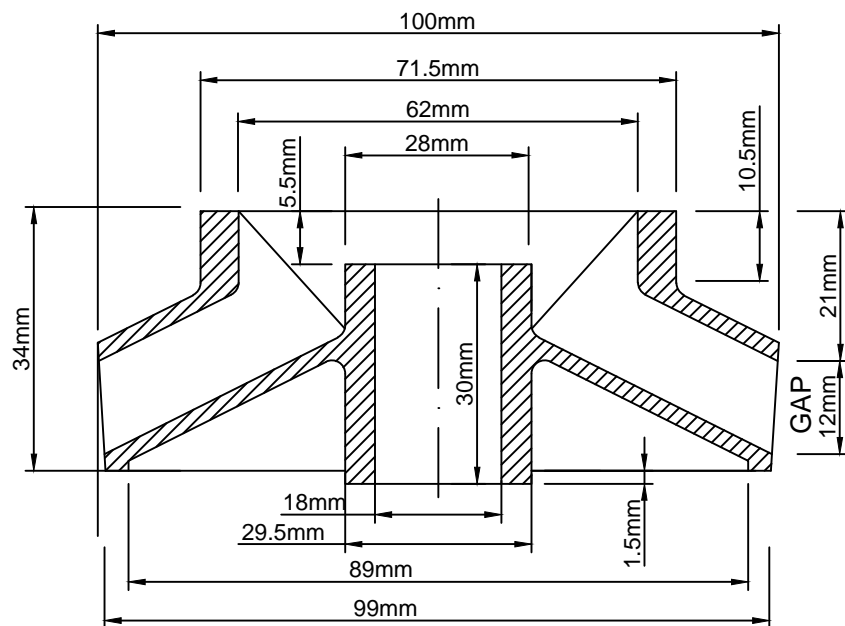


M 252 / 1 IMPELLER



Model No	M 252/1
Type of flow	Mixed flow
Borewell Size	6"
Flow Rate	6.67 m ³ /hr (400 LPM)
Head / Stage	7 m
Shut off Head	11 m
Power driven by pump / stage	0.93 KW (1.25 HP)
Rated RPM	2880 @ 50 Hz
No. of Blades	6 (CCW)
Production Method	Investment Casting
Weight (As cast)	0.500 (kg)
Compatible Bowl Model No.	BOWL - 242

NOTE :

ALL DIMENSIONS ARE - AS CAST
 ALL DIMENSIONS ARE IN MM UNLESS OTHERWISE SPECIFIED.
 DO NOT SCALE, IF IN DOUBT ASK.