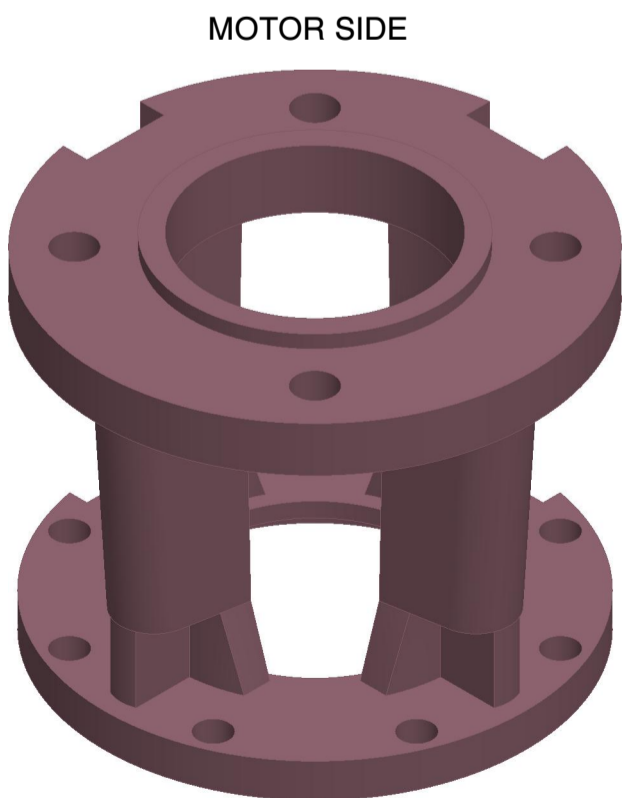
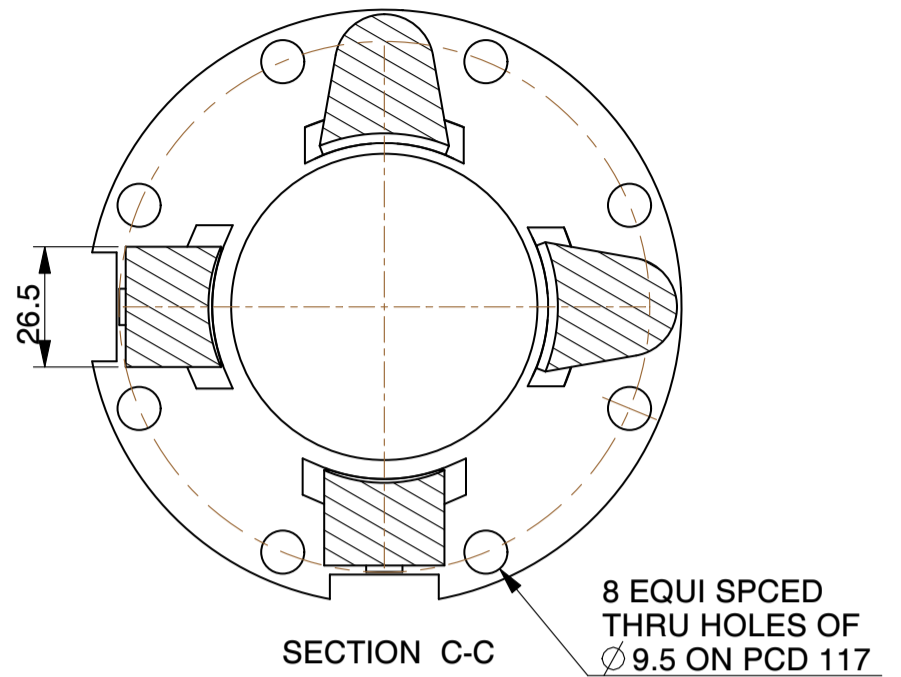


SECTION A-A
SCALE 0.600

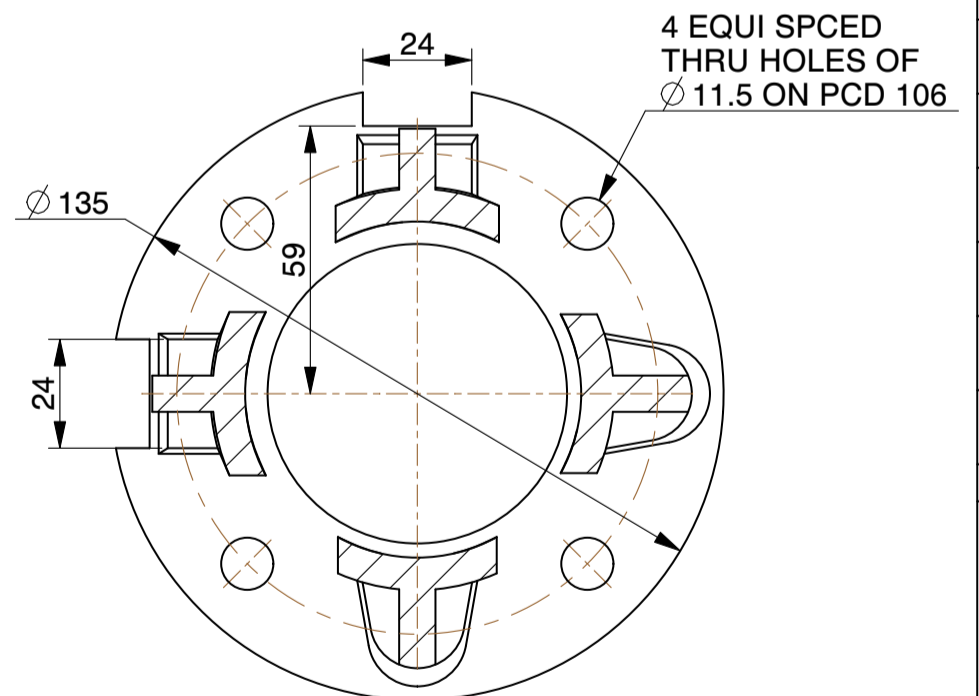
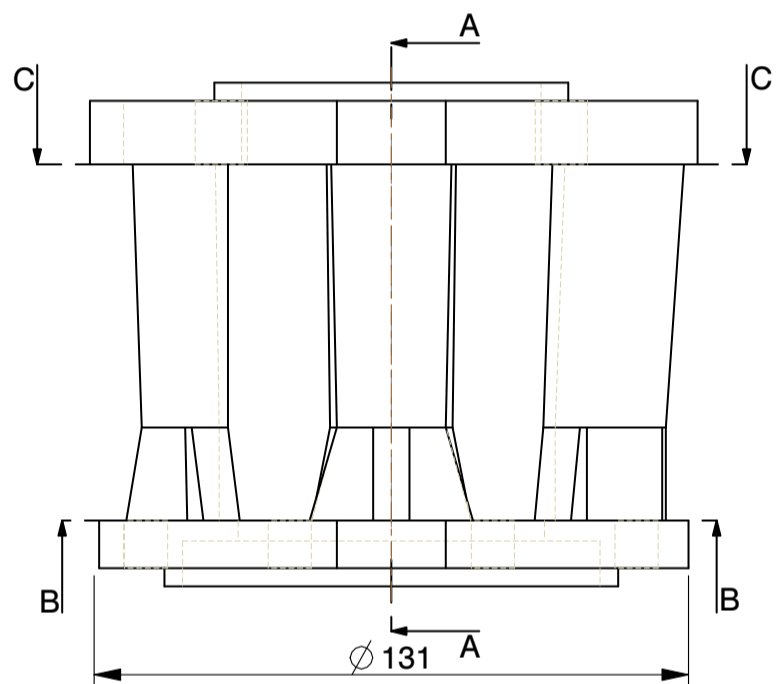


MOTOR SIDE

PUMP SIDE



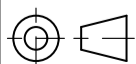
SECTION C-C
8 EQUI SPCED THRU HOLES OF ϕ 9.5 ON PCD 117



SECTION B-B
4 EQUI SPCED THRU HOLES OF ϕ 11.5 ON PCD 106

MICROCARE TECHNIQUES P. LTD.

42/43, Manorath Industrial Estate, Nr. Milan Talkies, Saraspur,
Ahmedabad - 380 018, Gujarat, INDIA. e mail: microcare25@hotmail.com

PART NAME: IP COMMON FOR 273 / 302			SCALE 1:2
MATERIAL: CAST IRON	DESCRIPTION: WEIGHT:- 2.9 Kgs		DATE 18-11-2011